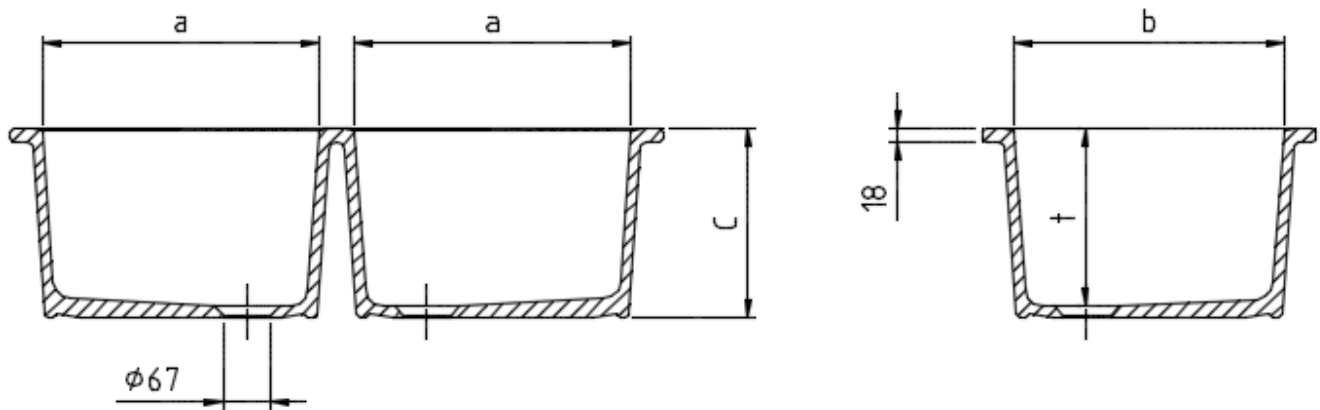
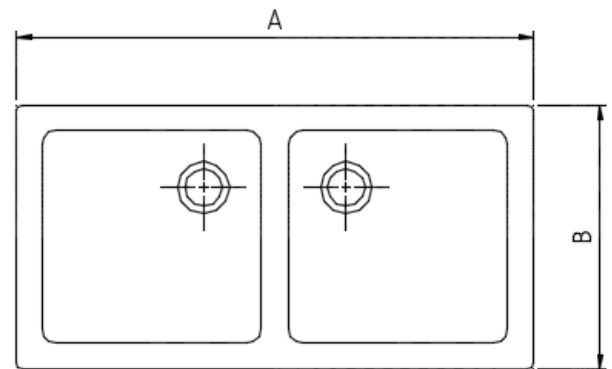




Model 2950



Dimensions in mm						Weight approx. kg	Model-No.
exterior approx.			interior approx.				
A	B	C	a	b	t		
920	470	265	390	380	250	38	2950

Cutout dimension, glazed	Outlet form	Model-No.
810x360 mm	0580	2950

Material: Chem.-techn. stoneware according to EN 14879-6, chart 5

Execution: The exterior as well as the cementing surface of the sinks are unglazed

Tolerances: Material depending tolerances +/- 1,5 %