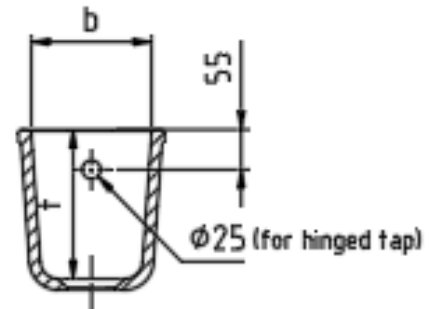
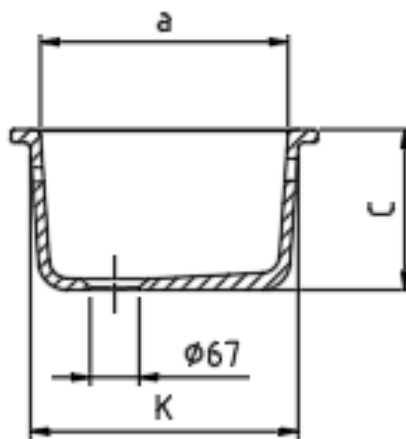
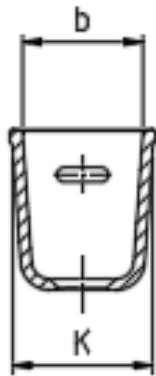
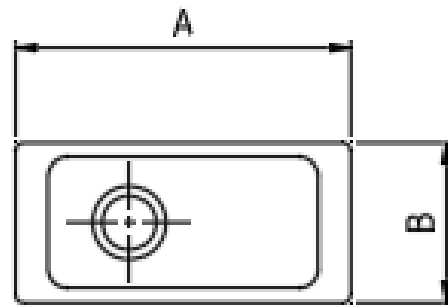




Model 3035

Hole  $\varnothing 25$  only at model 3035

Dimensions in mm							Weight approx. kg	Model-No.
exterior approx.			interior approx.					
A	B	C	K	a	b	t		
420	200	220	380/196	340	165	200	10	3030
420	200	220	380/196	340	165	200	10	3035

Outlet form	Model-No.
0540	3030
0540	3035

**Material:** Chem.-techn. stoneware according to EN 14879-6, chart 5

**Execution:** The exterior of the sinks is unglazed, the upper and side surfaces of the edges are glazed.

**Tolerances:** Material depending tolerances +/- 1,5 %