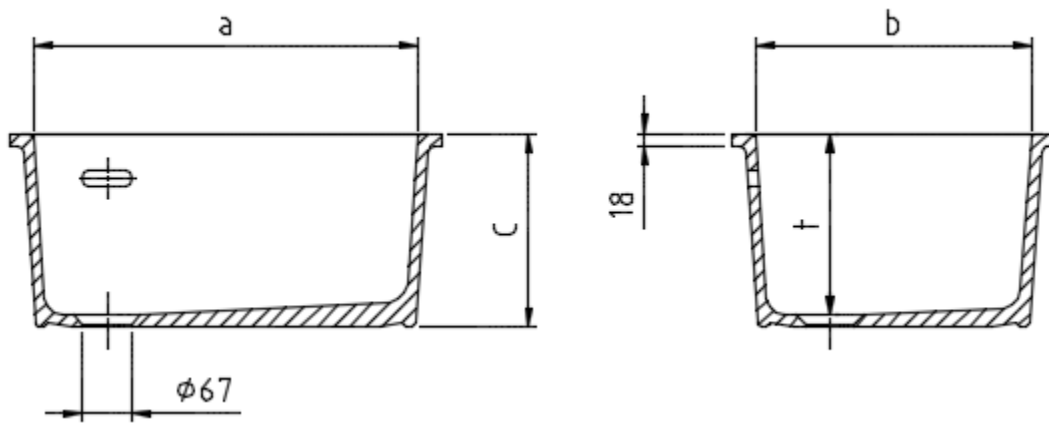
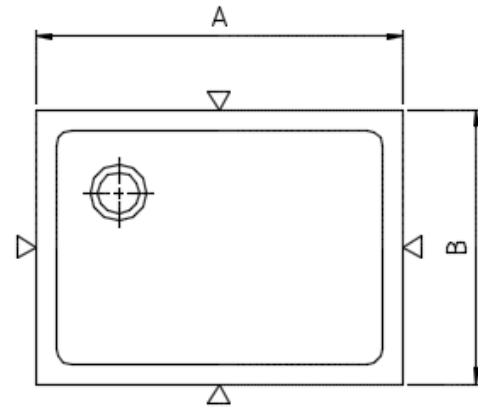




Model 2730



Dimensions in mm						Weight approx. kg	Model-No.
exterior approx.			interior approx.				
A	B	C	a	b	t		
445	295	265	380	230	250	14	2430
445	445	265	380	380	250	22	2630
595	445	265	530	380	250	26	2730
745	445	265	680	380	250	30	2830

Cutout dimension	Outlet form	Model-No.
455x305 mm	0540	2430
455x455 mm	0540	2630
605x455 mm	0540	2730
755x455 mm	0540	2830

**Material:** Chem.-techn. stoneware according to EN 14879-6, chart 5

**Execution:** The exterior of the sinks is unglazed and the edge is cut to size.

**Tolerances:** Material depending tolerances +/- 1,5 %